

2000
R P

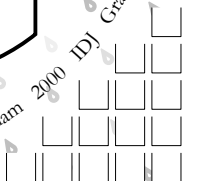
2000
F

2000
T

2000
D

2000
G

AHB



Times	Eye	Nose	Mouth	Score
2000 AHB Ramos Pinto	2000 AHB Ramos Pinto	2000 AHB Ramos Pinto	2000 AHB Ramos Pinto	2000 AHB Ramos Pinto

RP
2000

F
2000

T
2000

D
2000

G
2000



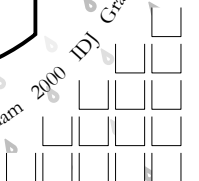
RP
2000

F
2000

T
2000

D
2000

G
2000



2000
R P

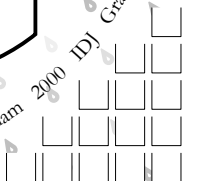
2000
F

2000
T

2000
D

2000
G

NAC



Times	Eye	Nose	Mouth	Score
2000 AHB Ramos Pinto	2000 AHB Ramos Pinto	2000 AHB Ramos Pinto	2000 AHB Ramos Pinto	2000 AHB Ramos Pinto

RP
2000

F
2000

T
2000

D
2000

G
2000



NAC

RP
2000

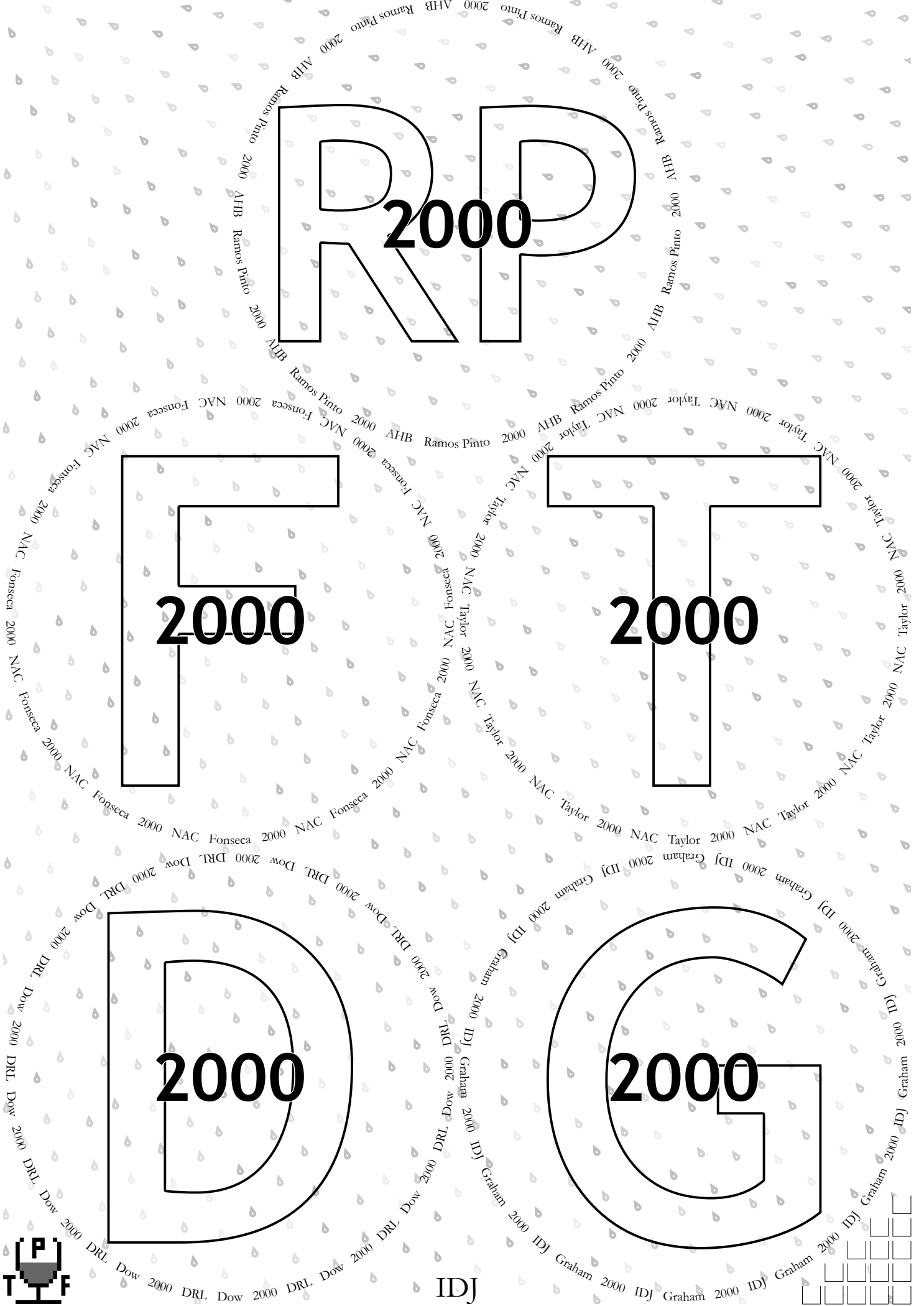
F
2000

T
2000

D
2000

G
2000

IDJ



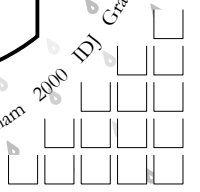
RP
2000

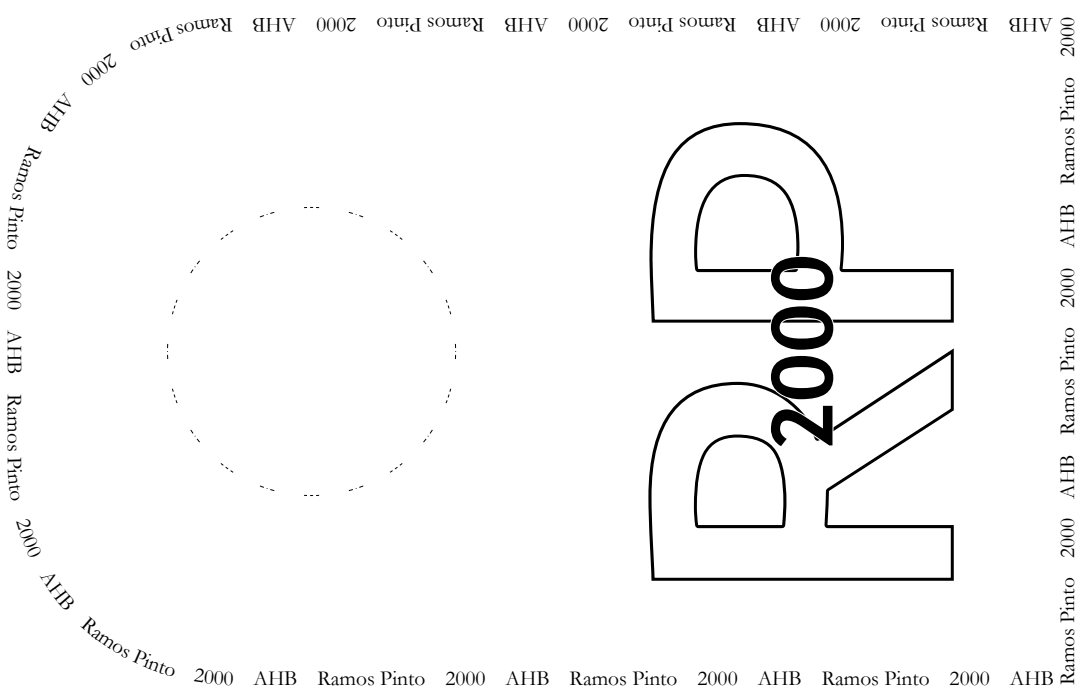
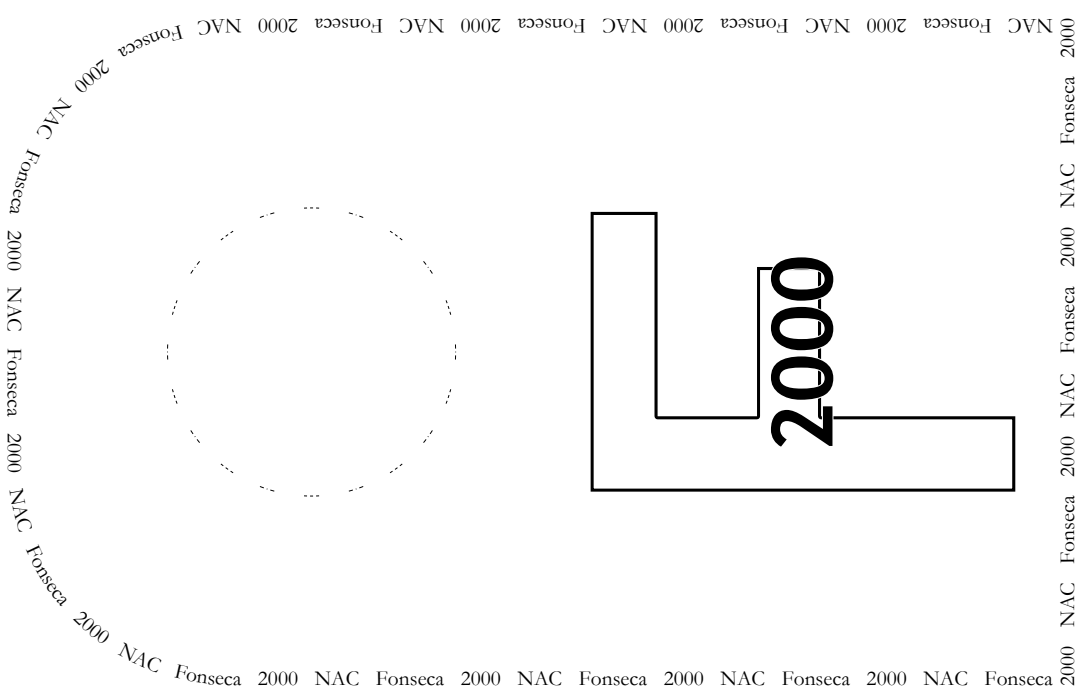
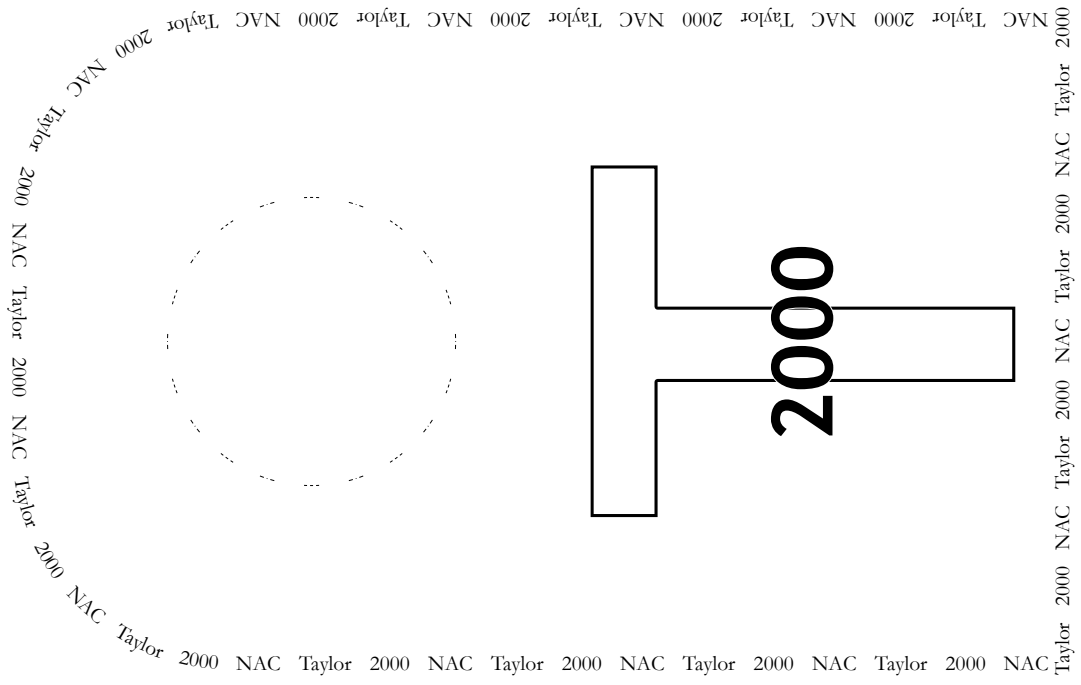
F
2000

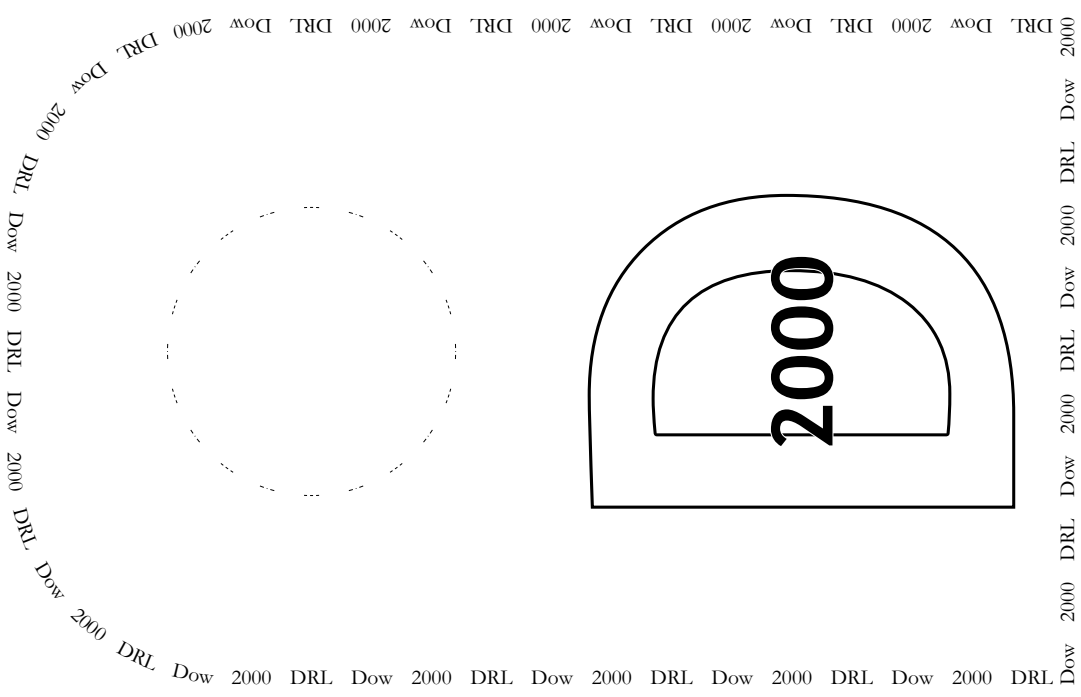
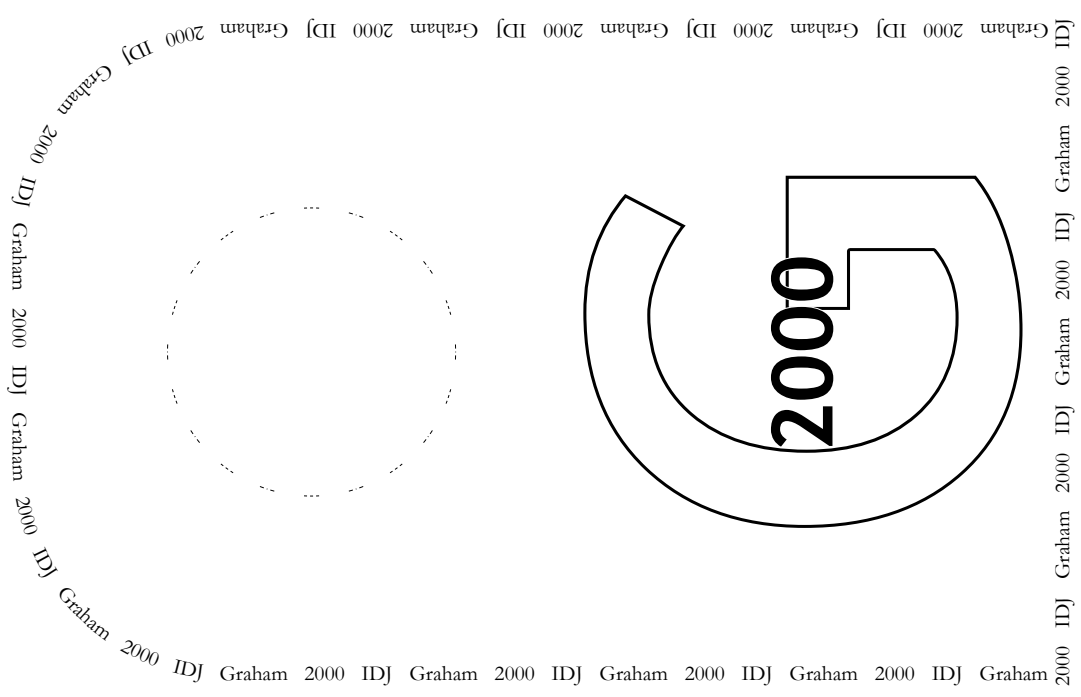
T
2000

D
2000

G
2000







© Copyright 2020 Julian D. A. Wiseman of www.jdawiseman.com
This work is licensed under a Creative Commons Attribution-ShareAlike 4.0 International Licence.
<http://creativecommons.org/licenses/by-sa/4.0/deed.en>

product = Acrobat Distiller 11.0; languagelevel = 3; version = 3018.101; revision = 0; usertime = 69305217
Software version = SoftwareVersionDateAdobeFormat = D:202003022345 = 23:45 Mon 02 March 2020
These placemats ~ ParametersVersionDateAdobeFormat = D:202003162250 = 22:50 Mon 16 March 2020

Used paper types: A4 = 210mm*297mm.

External links for document outline:

Thread on ThePortForum.com = <http://www.theportforum.com/viewtopic.php?t=13212&view=unread#unread>
World Health Organization = <http://www.who.int/emergencies/diseases/novel-coronavirus-2019>
Latest version this placemat = http://www.jdawiseman.com/2020/20200317_2000s.pdf
in list of placemats = http://www.jdawiseman.com/papers/placemat/placemats_list.html#a20200317
Boot & Flogger = <http://www.davy.co.uk/wine-bar/boot-and-flogger/>
SE1 1TA, streetmap.co.uk = <http://www.streetmap.co.uk/map.srf?x=532409&y=180083&z=106&pc=SE1+1TA>
SE1 1TA, google.co.uk = <https://goo.gl/maps/7NEiwAMEZpG2>
SE1 1TA, bing.com = <http://www.bing.com/maps/default.aspx?where1=SE1+1TA&cp=51.50428~-0.0935>
What3Words: cafe.humid.palace = <http://map.what3words.com/cafe.humid.palace>
Software manual = <http://www.jdawiseman.com/papers/placemat/placemat.html>
Placemats, list = http://www.jdawiseman.com/papers/placemat/placemats_list.html
Software discussion = <http://www.theportforum.com/viewtopic.php?t=175&start=9999#bottom>
Parameters, examples = <http://www.theportforum.com/viewtopic.php?t=5837&start=9999#bottom>

Fonts: /TrebuchetMS-Bold (TitlesFont, OvertitlesFont, SubtitlesFont); /Garamond (CircleletextFont, NamesFont, HeaderFont); and perhaps others.

Array equalities: {Circlearrays = CirclearraysTastingNotes = CirclearraysVoteRecorder = CirclearraysCorkDisplay = CirclearraysNeckTags};
{Titles = TitlesTastingNotes = TitlesVoteRecorder = TitlesCorkDisplay}; {Overtitles = SubtitlesTastingNotes = SubtitlesVoteRecorder = SubtitlesCorkDisplay}; {Names = NamesTastingNotes = NamesVoteRecorder}.

InlineTitles = true; InlineAbovetitles = true; InlineBelowtitles = true; InlineOvertitles = false; InlineTitlesMaxNumberContours = 1;
InlineTitlesBlackWidth = 1.44; InlineTitlesWhiteWidth = 2.88; InlineAbovetitlesMaxNumberContours = 1; InlineBelowtitlesMaxNumberContours = 1;
InlineAbovetitlesBlackWidth = 0.72; InlineAbovetitlesWhiteWidth = 1.44; InlineBelowtitlesBlackWidth = 0.72; InlineBelowtitlesWhiteWidth = 1.44

TastingNotesCirclesBehind = true; TastingNotesCirclesBehindFadingFactorIfAllBlack = 0.125; TastingNotesCirclesBehindFadingFactorIfAnyGrey = 0.2;
TastingNotesCirclesBehindTopX = { [0 1 0 0.5 1 1 0.5 0.5 0] TastingSheetNum 9 mod get }; TastingNotesCirclesBehindBottomX = { [0 1 0 0.5 1 1 0.5 0.5 0] TastingSheetNum 1 add 9 mod get }

SheetNum=0, with 5 glasses: best BaseStyle, with radius 136.819, is /RectangularDislocation with 3 rows and 2 columns. Of non-margin area 68.1931% within circles = 75.1937% of infinite-plane exact-hexagonal maximum.

Radii = [136.819] => diameters ~ 96.5mm=3.80", all of them.

GlassesOnSheets = [[0 1 2 3 4]]
GlassesOnTastingNotePages = GlassesOnSheets
Titles, ASCIIified and re-arranged by GlassesOnSheets = [[(RP) (F) (T) (D) (G)]]

CircleletextMaxFontSizeAbsolute = 8; CircleletextMaxFontSizeProportionRadius = 0.1; CircleletextMaxFontSizeMayBeSlightlyExceeded = true.

CircleletextsTweakSizeScores: Score=5.8566 and FontSizes=8.0362, all of them

CirclearraysFontSizes = 8.0362, all of them. CirclearraysFontSizes/Radii = 0.058736, all of them.

CirclearraysUnroundedN = [[9 11 12 13 12]].

CirclearraysN = [[9 11 12 13 12]].

RadiiCirclearrayBaseline = [134.782]. RadiiCirclearrayInside = [129.51].

Binding constraints on TitleFontSizes as SheetNum, WithinPage, WithinTitles, Title: 0,0,0,RP; 0,2,2,T.

TitleFontSizes = [[198.978 279.538 279.538 279.538 279.538]].

TitleFontSizes, equality classes: [[0 1 1 1 1]].

Title heights / RadiiCirclearrayInsideUsableTAB = [[1.11081 1.54327 1.54327 1.55406 1.59507]].

OvertitleFontSizes = 39.7956, all of them.

OvertitleFontSizes/TitleFontSizes = [[0.2 0.142362 0.142362 0.142362 0.142362]].

Droplets will cover approximately 4.0% of non-margin bare page (ignoring overlaps and hollow inners, assuming no sharp turns, etc).

DropletsCharges is equivalent to [[0 0 841.89] -1]

DropletsProportionBackwards = 0; number stationary points on each SheetNum = [0]; shown stationary points = [[]].

DropletPaths, number on each SheetNum = [861]. Frequencies of the number of points in individual droplets: 2*861=100.0%. Total = 1722; avg length = 2.00.

WaterBoxes on SheetNum 0 with radius 136.819: WaterBoxesSize = 10.899; WaterBoxesGap = 2.72476; WaterBoxesNum = 15

Neck tags: scaling factors = [0.796072] (with ThisPageOrdering = 1), and scaled TitleFontSizes = [[158.401 222.533 222.533 222.533 222.533]].

URL # tags: Glasses_0 ... Glasses_4; TastingNotes_0 ... TastingNotes_4; VoteRecorder_0, VoteRecorder_1; CorkDisplay_0; NeckTags_0, NeckTags_1; DistillationLog; and also 5 glass-circle zooms of the form Circle_#NameNum_#SheetNum_#WithinPage, the first being Circle_00_00_00 and the last being Circle_00_00_04.

Only log output remaining:

usertime = 69310483, so about 5.3 seconds to execute code, excluding parameter assignments and log page(s).

```
2 = vmstatus pop pop: should = 1|2 and does :-)  
0 = CountClipStack: should = 0 and is :-)  
0 = CountGraphicsStack: should = 0 and is :-)  
3 = countdictstack: should = 3 and is :-)  
0 = count: should = 0 and is :-)
```